



*Fans-tech*

# 养牛系列循环风机

## Circulation Fan Series



广东泛仕达农牧风机有限公司  
Guangdong Fans-tech Agro Co., Ltd

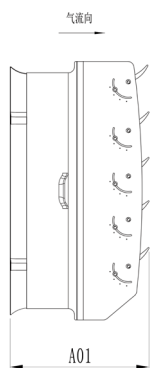
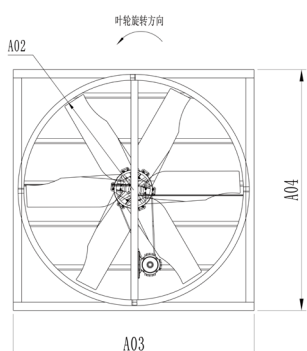
# YNF系列循环风机

## YNF Series Circulation Fan

YNF55"



YNF72"



规格   Diameter of blade (Inch)		55"		72"	
电机   Motor	电压   Voltage (V)	380	230	380	230
	频率   Hertz (Hz)	50	60	50	60
	相数   Phase	3		3	
	功率   Power (KW)	1.1		2.2	
	输入电流   Current @0Pa (A)	3.1		4.6	
性能参数   Performance	风量   Airflow (m <sup>3</sup> /hr.)	45000		85200	
	风量   Airflow (CFM)	26500		50180	
	能效比   Efficiency (m <sup>3</sup> /hr)/W	36		39.6	
	能效比   Efficiency (cfm/Watt)	21.2		23.3	
特征   Features	驱动方式   Drive	皮带传动   Belt driven			
	皮带   Belt	日本三星带自动张紧器   Mitsubishi with automatic tensioner			
	风叶   Propeller	6片铝叶   6-Aluminum			
	轴承   Bearing	NSK			
	导流板   Deflector	4		5	
外形尺寸   Dimension (mm)	A01	740		1100	
	A02	1400		1830	
	A03	1600		2050	
	A04	1600		2050	

## ↓ 降温快 Fast cooling

高强度铝合金扇叶，叶型采用流体仿真最优化设计，风机两侧风量损失小，风量大，降温迅速，快速优化养殖舍内空气质量。

Being optimized with fluid simulation design, high-strength aluminum alloy propeller provides large air flow with few air volume loss on both sides, which enables fast cooling and quickly air quality improving in cowsheds.

## 🔧 易维护 Easy to maintain

采用进口皮带，皮带配有自动张紧器，可延长调试周期；如需替换皮带也无需拆下叶轮，易于维护。

An automatic belt tensioner is adopted to extend debugging period; and the belt change is easily done without removing the propeller.

## 🛡️ 耐腐蚀 Anti-corrosion

壳体由高密度玻璃钢材料制成，强度高而轻便，且耐腐蚀能力超强。

Corrosion resistance high-density fiber-glass housing, with high strength and light weight.

## 👤 个性化 Customized choice

可选配变频器，实现风机的无极调速。

Optional frequency converter to realize the stepless speed regulation of the fan.

## 🌀 覆盖面广 Wide airflow

采用可调节角度的导流板，无需改变风机吊装位置，只需简单操作即可实现距离远、覆盖面广的送风。

Long air blow distance and wide air supply area can be simply achieved by adjusting the airfoil deflectors instead of changing the original position of the fan.

## 🌱 超省电 Power saving

采用超高效电机，实现高能效比，低功耗，节能省电，节约养殖成本，提高养殖收益。

The use of ultra-efficient motor achieves high energy efficiency ratio to reduce power consumption and costs.

## 🐄 体感舒适 Animal comfort

整机低速运转，运行安静，风量大而均匀、柔和，让动物倍感舒适。

Silently supply gentle wind at low operation speed to comfort the animals.

## 🏠 应用场景 Application

多用于牛舍等做空气循环，通风降温，干燥畜床等之用。也可适配雾化器，实现加湿与抑制粉尘的作用。

Widely used in cowsheds and stables for air circulation, cooling, and livestock beds drying; an atomizer can be fitted with to achieve the effects of humidification and suppression of dust.





# YNF900系列循环风机

## YNF900 Series Circulation Fans

5叶

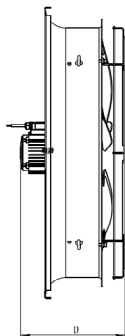
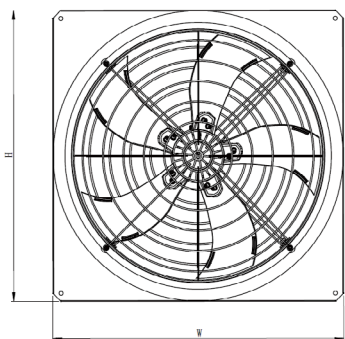


YNF900B3-077-00

3叶



YNF900B4-077-00



型号 Model No.		YNF900B3-077-00	YNF900B4-077-00
规格   Diameter of blade (inch)		36"	36"
电机   Motor	电压   Voltage (V)	380	380
	频率   Hertz (Hz)	50	50
	相数   Phase	3	3
	功率   Power (KW)	0.75	0.37
性能参数   Performance	转速   Speed (rpm)	930	730
	风量   Airflow (m <sup>3</sup> /hr.)	24500	16500
	风量   Airflow (CFM)	14430	9720
	能效比   Efficiency (m <sup>3</sup> /hr)/W	25.8	33
	能效比   Efficiency (cfm/Watt)	15.2	19.4
特征   Features	驱动方式   Drive	直联驱动   Direct drive	
	风叶   Propeller	5片铝叶   5-Aluminum	3片铝叶   3-Aluminum
	轴承   Bearing	NSK	
外形尺寸   Dimension (mm)	宽×深×高   W×D×H	1070×380×1070	1070×380×1070

## 降温快 Fast cooling

高强度压铸铝扇叶，叶型采用流体仿真最优化设计，风量大，降温迅速，快速优化养殖舍内空气质量。

Being optimized with fluid simulation design, high-strength die-cast aluminum airfoil propeller provides large air flow, which enables fast cooling and quickly air quality improving in cowsheds.

## 免维护 Maintenance Free

全系列均采用直联驱动，传动效率高，结构简单，免除定期更换皮带的麻烦，减少更换皮带的成本。Direct driving with high transmission efficiency and simple structure, which eliminates the trouble of regular belt replacement and reduces the using cost.

## 高防腐 Anti-corrosion

钢质喷粉机身与防护网罩，SUS304不锈钢材质紧固件与配附件，为风机提供卓越的耐腐蚀能力，坚固耐用。

The powder-sprayed steel body and protective mesh, combined with SUS304 stainless steel accessories provide excellent corrosion resistance.

## 低噪音 Low Noise

流畅的叶型与高动平衡精度使运行中的叶片与空气摩擦系数小、共振小，确保低噪音，提升动物生存环境的舒适度。

The smooth propeller shape and high dynamic balance accuracy makes tiny friction coefficient between the blade and air combined with small resonance during running, which ensures low noise and improves the living comfort for the animals.

## 超省电 Power saving

采用超高效电机，实现高能效益，低功耗，节省省电，节约养殖成本，提高养殖收益。

The use of ultra-efficient motor achieves high energy efficiency ratio to reduce power consumption and costs.

## 超耐用 High durability

机身采用2.0mm厚钢板制成，坚固耐用。2.0mm thickness steel fan body with epoxy resin coating, sturdy and durable.



# 公司简介 About us

广东泛仕达农牧风机有限公司是一家集研发、制造、销售于一体，专注于集约化畜禽养殖通风设备的现代化企业。我们致力于为全球客户提供个性化的通风解决方案及各类技术领先、制作精良的农牧通风产品。

Guangdong Fans-tech Agro Co., Ltd is a modern enterprise integrating R&D, engineering, manufacturing and sales with an acute focus on intensive poultry and livestock breeding ventilation equipment. We are committed to providing global customers with personalized ventilation solutions and various ventilation products with leading technology and excellent quality for agricultural and animal husbandry industry.

# 经营理念 Our vision

泛仕达以“诚信、创新、共赢”为经营理念，争创世界一流品牌，致力于成为农牧行业最可靠，最具竞争力的风机提供商。

With the principle of "integrity, innovation, win-win", Fans-tech Agro strives for the world-class brand, and is committed to becoming the most reliable and competitive fan supplier in the agricultural and animal husbandry industry.



广东泛仕达农牧风机有限公司  
Guangdong Fans-tech Agro Co., Ltd



 | [www.fanstech-agro.com](http://www.fanstech-agro.com)

 | 广东省云浮市新兴县新城镇新成工业园二环路西段32号  
No.32, West Erhuan Road, Xincheng Industrial Park, Xincheng Town, Xinxing, Guangdong, China

国内销售部 Domestic Sales Department

 | 0766-2929903

 | [tech097@fans-tech.com](mailto:tech097@fans-tech.com)

海外销售部 Overseas Sales Department

 | +86-766-2500860

 | [tech097@fans-tech.com](mailto:tech097@fans-tech.com) / [viola@fans-tech.com](mailto:viola@fans-tech.com)